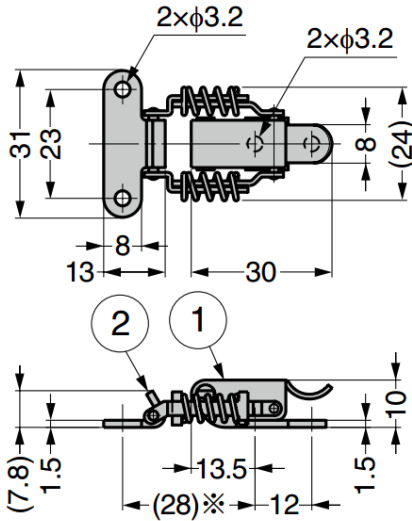


GSCC-30 Spring Loaded Stainless Steel Draw Latch

Features

- Spring loaded design ideal for doors and covers that require dust or drip proofing



Clamping Margin mm	Clamping Force N	Clamping Force kgf
1	30	3.1
2	45	4.6

No.	Part Name	Material	Finish
①	Body	Stainless Steel (SUS304)	Barrel Polished
②	Counter Plate		

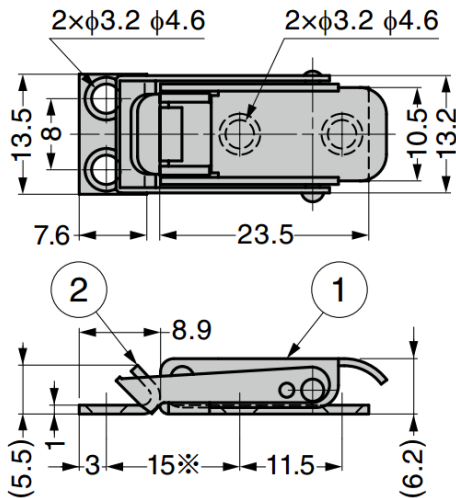
Part No.	Load Capacity	
GSCC-30	200 N	20 kg

※In case of clamping margin "0 mm".

GSCC-25 Spring Loaded Stainless Steel Draw Latch

Features

- Concealed spring provides clean appearance
- Spring loaded design ideal for doors and covers that require dust or drip proofing



Clamping Margin mm	Clamping Force N	Clamping Force kgf
1	75	7.6

No.	Part Name	Material	Finish
①	Body	Stainless Steel (SUS304)	Barrel Polished
②	Counter Plate		

Part No.	Load Capacity	
GSCC-25	100 N	10 kg

※In case of clamping margin "0 mm".